

DHI-ITSDY-5201-22

Electric Vehicle Charger



System Overview

The EV charger is a power supply that uses advanced, professional technology to provide energy to electric vehicles. It has a friendly man-machine interface, versatile control and communication functions.

Functions

High-Grade Protection

Comes with protection against surges, high temperatures, overvoltage, under voltage, over current and electrical leakage. It also offers RCD and PEN protection. But PEN protection is only applicable to the UK.

Multiple Charging Modes

Offers multiple charging modes: Free vending, RFID control and app control method. You can directly plug in and charge using the free vending method, swipe the card for RFID, or connect the device to a hotspot for the app.

Flexible Charging

Supports 5 grades for the charging current, ranging from 10 A to 32 A. When the device shares the same power supply with other high power-consumption devices and the available current cannot offer full-load charging, you can downgrade the level of the charge to allow other connected devices to also work.

- 7-inch LCD display.
- 3 charging methods: Free vending (plug&play), RFID control, and app control.
- Supports OCPP 1.6J and ModBus TCP.
- Working temperature: $-30\text{ }^{\circ}\text{C}$ to $+65\text{ }^{\circ}\text{C}$ ($-22\text{ }^{\circ}\text{F}$ to $+149\text{ }^{\circ}\text{F}$).
- Integral 30 mA Type A and DC 6mA RCD function protection, and supports PEN protection.
- IP65, and IK10 without LCD display, IK08 for all.
- 3 year warranty.



Intelligent Display

The device panel has a built-in LED indicator that indicates the status of the charge using different colors.

Elegant Design

Sleek and elegant, the device has a friendly human-machine interface.

Widely-Used Protocol

With the OCPP 1.6J protocol, the device seamlessly connects to a variety of charging management platforms, without the need for extra integration.

Easy Fit

Supports wall mount and floor standing.

Scene

The device is suitable for a variety of scenes that offer 400 VAC power supply, such as private parking spaces, high-speed service areas, shopping malls, public parking lots, bus stations and more.

Technical Specification

Basic

Power Supply	400 VAC, 50/60 Hz, 3-Phase
Rated Power	22 kW
Operating Current	3 × 32 A max
Input Cable Wiring Method	N/R/S/T/PE
Socket Outlet or Connector Type	Socket, type 2
Charging Protocol	Mode 3 (IEC 61851-1 compliant communication protocol)

Port

Charging Port	Type 2 (Socket, IEC 62196 Type2 EU)
Ethernet Port	1 × RJ-45 (100 Mbps Ethernet network port-IEEE1588)

Function

Display Screen	7 inch LCD (Wide Video Graphics Array), it displays the charging current, charging voltage, charging power, charging time, status, failure information and more.
Front LED Indicator	Indicates the status of the charge using different colors Blue: Stand-by mode; Yellow: Ready to be used; Green: Charging; Red: An issue with the charge
Communication Protocol	OCPP 1.6J, ModBus TCP
Charging Mode	Free vending mode (plug&play), RFID control mode (built-in RFID reader, ISO 14443- A, 13.553 MHz–13.567 MHz), and App control by Wi-Fi (2412 MHz–2484 MHz)
Upgrade Method	USB upgrade and remote upgrade (OCPP 1.6J)
Safety Protection	Surge protection, over temperature protection, over voltage protection, under voltage protection, over current protection, grounding protection, electrical leakage protection
Earth Leakage Protection	Integral 30 mA Type A and DC 6mA RCD function protection
PEN Protection	Integrated broken PEN lead protection according to BS 7671:2018/A1:2020
Remote Diagnostics	Remote diagnostics over OCPP 1.6J
Energy Monitoring	Internal MID meter monitors power and energy
Dynamic Load Management	Dynamic load management via Ethernet, Wi-Fi and OCPP 1.6J
Charging Current Value	10 A–32 A (Adjustable)

General

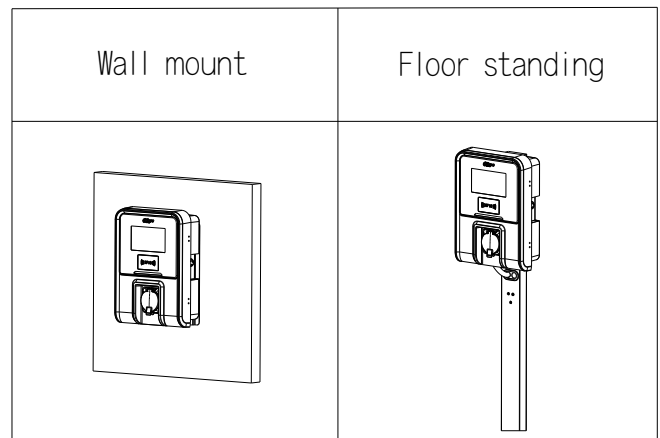
Operating Temperature	–30 °C to +65 °C (–22 °F to +149 °F)
Storage Temperature	–40 °C to +75 °C (–40 °F to +167 °F)
Operating Humidity	≤95% (RH), non-condensing
Product Dimensions	410 mm × 295 mm × 137 mm (16.14" × 11.61" × 5.39") (L × W × H)
Packaging Dimensions	550 mm × 430 mm × 320 mm (21.65" × 16.93" × 12.60") (L × W × H)
Net Weight	9.65 kg (21.27 lb)

Package Weight	12.2 kg (26.90 lb)
Installation Environment	Indoor and outdoor
Installation	Wall mount and floor standing
Wire	Wire cross-section: 5 × 6 mm ² (9 AWG)
Certifications	CE EN IEC61851-1, EN IEC61851-21-2, EN300328, EISI EN300330, EN301489-1/-17/-3/-52, EN62311, EN50364, ETSI EN 301511, ETSI EN301908-1/-2/-13, IEC62955, 2011/65/EU, 2015/863/EU
Protection	IP65
Anti-collision Grade	IK10 without LCD display, IK08 for all
Material	Aluminum alloy and steel

Ordering Information

Type	Model	Description
Electric Vehicle Charger	DHI-ITSDY-5201-22	Electric Vehicle Charger (22 kW)
Accessories (Optional)	ITSDY-5001-LZ	Bracket
	ITSDY-5001-CT	Load Detector

Installation



Dimensions (mm[inch])

